

**CE**

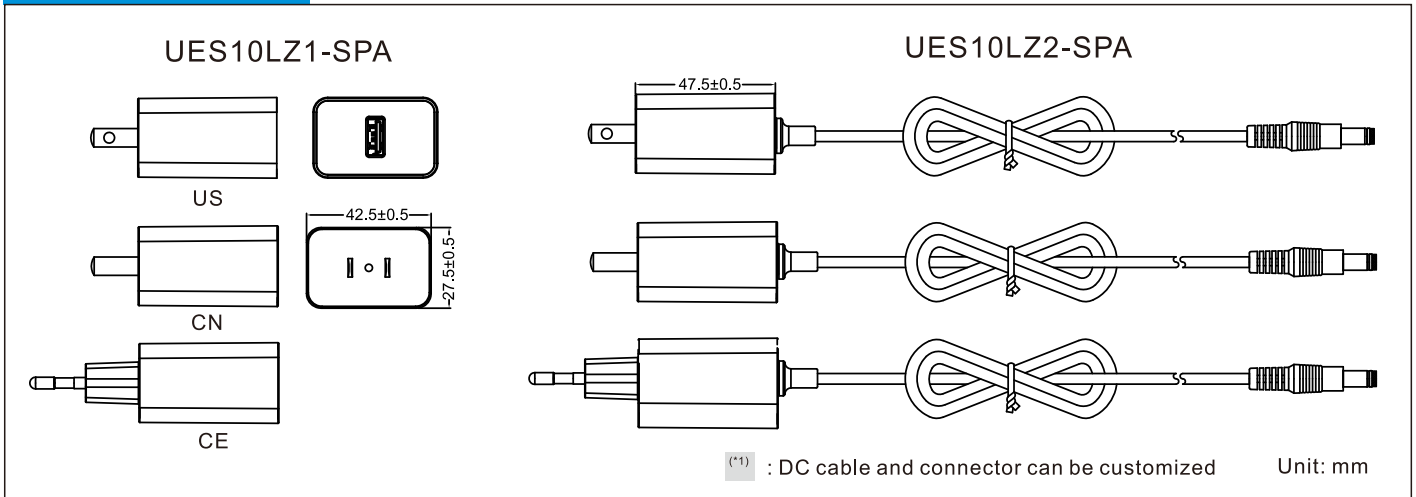
IP20 Class II (VI)

**Product Features**

- Meets medical & I.T.E. safety
- 2 MOPP input to output isolation
- Touch current  $\leq 100\mu\text{A}$
- Energy efficiency level VI
- $\leq 0.075\text{W}$  standby power
- Up to 5,000m operating altitude


**Models & Parameters**

Model Number	Voltage	Current	Rated Power	Ripple & Noise (max)	Voltage Tolerance	Line & Load Regulation	Efficiency (Average)	Start Up Delay
UES10LZ1-050200SPA UES10LZ2-050200SPA	5.0	0.01-2.00	10.00W	200mVpk-pk	$\pm 5\%$	Line: $\pm 5\%$ Load: $\pm 5\%$	79%	$\leq 3\text{s}$

**Mechanical Details**

**Notes**

(\*1) Other options are available, please contact our sales representative for details.

**Input**

Input Voltage Range	90-264VAC
Frequency Range	47-63Hz
Input Current	0.5A at 100VAC
Touch Leakage Current (max)	≤ 100µA at 264VAC

**Environmental**

Operating Temperature	0°C to 45°C
Storage Temperature	-20°C to 60°C
Operating Humidity	10% to 90% RH, non-condensing
Storage Humidity	5% to 90% RH
Operating Altitude	5,000m

**General**

Dimensions	47.5(L) 42.5(W) 27.5(H)mm
Weight	50g
MTBF	>100,000hrs MIL-HDBK-217 at 25°C

**Protection**

Overload	200%max , auto recovery
Over Voltage	150%max , auto recovery
Short Circuit	Auto recovery

**Safety Approvals**

Safety Agency / Mark	Medical(meet)	ITE(meet)
CB	IEC60601-1	
UL	ANSI/AAMI ES60601-1 CAN/CSA C22.2 NO. 60601-1	-
TUV/MARK	EN60601-1	
CCC	-	GB4943.1

**EMC**

Emission	Medical	ITE
Conduction	IEC/EN60601-1-2, CISPR 11	EN55032, CISPR 32
Radiation	IEC/EN60601-1-2, CISPR 11	EN55032, CISPR 32
Harmonic Currents	EN61000-3-2, Class A	EN61000-3-2, Class A
Voltage Flicker	EN61000-3-3	EN61000-3-3
Immunity	IEC/EN60601-1-2	EN55035, CISPR 35
ESD	IEC61000-4-2	±15KV air, ±8KV contact
Radiated Immunity	IEC61000-4-3	10V/m ,3V/m 80MHz - 2.7GMHz
EFT/Burst	IEC61000-4-4	±2KV on AC port, ±1KV on signal ports
Surge	IEC61000-4-5	±1KV line to line (different mode)
Conducted Immunity	IEC61000-4-6	3Vrms, 6Vrms (0.15MHz-80MHz)
Magnetic Field	IEC61000-4-8	30 A/m
Dips & Interruptions	IEC61000-4-11	0%, 70%, 0% of UT

**Others**

Dielectric Withstand Voltage	5,656VDC input to output
Insulation Resistance	10M Ohms, 500VDC input to output