


**Product Features**

- Medical safety approvals
- 2 MOPP input to output isolation
- Low leakage current  $\leq 100\mu\text{A}$
- $\leq 0.3\text{W}$  standby power
- 12V to 24V outputs, up to 36W
- Up to 5,000m operating altitude
- Interchangeable AC plugs

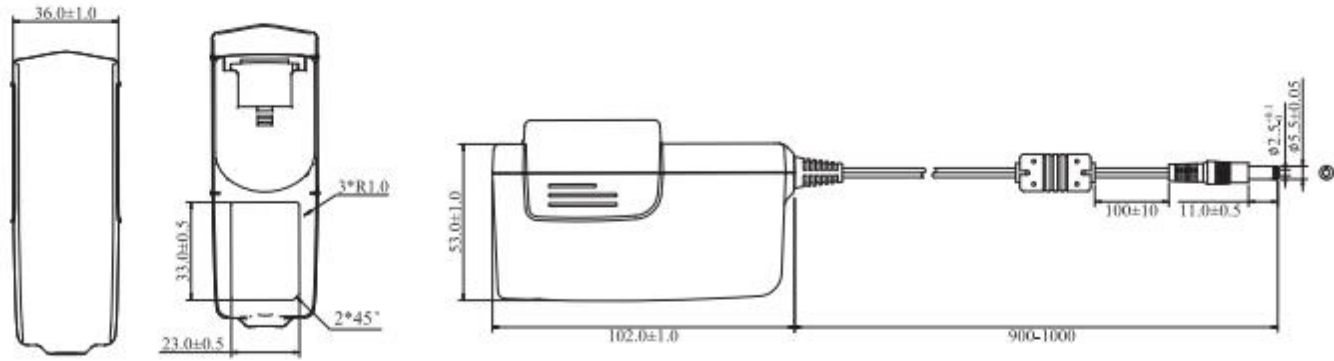
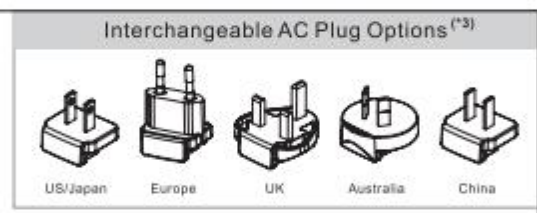

**Models & Ratings**

Model Number	Voltage <sup>(*)</sup> (V)	Current (A)	Rated Power	Ripple & Noise (max) <sup>(*)</sup>	Voltage Tolerance	Line & Load Regulation	Efficiency (Average)	Start Up Delay
UE36LCP1-XXXXYYSPA	12.0	0.01-3.00	36W	200mVpk-pk	$\pm 5\%$		84.78%	$\leq 3\text{s}$
UE36LCP1-XXXXYYSPA	12.1-13.0	0.01-2.67	36W	200mVpk-pk	$\pm 5\%$		84.55%	$\leq 3\text{s}$
UE36LCP1-XXXXYYSPA	13.1-14.0	0.01-2.57	36W	200mVpk-pk	$\pm 5\%$		84.78%	$\leq 3\text{s}$
UE36LCP1-XXXXYYSPA	14.1-15.0	0.01-2.40	36W	200mVpk-pk	$\pm 5\%$		84.78%	$\leq 3\text{s}$
UE36LCP1-XXXXYYSPA	18.0	0.01-2.00	36W	200mVpk-pk	$\pm 5\%$	Line: $\pm 1\%$	84.78%	$\leq 3\text{s}$
UE36LCP1-XXXXYYSPA	18.1-19.0	0.01-1.89	36W	200mVpk-pk	$\pm 5\%$	Load: $\pm 5\%$	84.77%	$\leq 3\text{s}$
UE36LCP1-XXXXYYSPA	19.1-20.0	0.01-1.80	36W	200mVpk-pk	$\pm 5\%$		84.78%	$\leq 3\text{s}$
UE36LCP1-XXXXYYSPA	20.1-21.0	0.01-1.71	36W	200mVpk-pk	$\pm 5\%$		84.77%	$\leq 3\text{s}$
UE36LCP1-XXXXYYSPA	21.1-22.0	0.01-1.63	36W	200mVpk-pk	$\pm 5\%$		84.76%	$\leq 3\text{s}$
UE36LCP1-XXXXYYSPA	22.1-23.0	0.01-1.56	36W	200mVpk-pk	$\pm 5\%$		84.76%	$\leq 3\text{s}$
UE36LCP1-XXXXYYSPA	23.1-24.0	0.01-1.50	36W	200mVpk-pk	$\pm 5\%$		84.78%	$\leq 3\text{s}$

**Mechanical Details**

**DC Cable<sup>(\*)</sup>:** UL2468 16AWG 1,000mm with ferrite for 12 - 15V  
UL2468 18AWG 1,000mm with ferrite for 18 - 24V

**Connector<sup>(\*)</sup>:** 2.5x5.5x11mm, fork type, centre "+"



Unit: mm

Notes  
 (\*) 1, 3) Other options are available, please contact our sales representative for details.  
 (\*) 2) Measured at output connector with 20MHz bandwidth and 0.1 $\mu\text{F}$  ceramic in parallel with 10 $\mu\text{F}$  electrolytic capacitors.

**Input**

Input Voltage Range	90-264VAC
Frequency Range	47-63Hz
Input Current	0.9A at 90VAC
Inrush Current	50A max at 240VAC cold start
Touch Leakage Current <sup>(max)</sup>	≤100μA at 264VAC

**Environmental**

Operating Temperature	0°C to 45°C	Dimensions	102(L)x36(W)x53(H)mm
Storage Temperature	-20°C to 60°C	Weight	200g
Operating Humidity	10% to 90% RH, non-condensing	MTBF	>100,000hrs MIL-HDBK-217 at 25°C
Storage Humidity	5% to 90% RH	Isolation	4,000VAC Input to Output
Operating Altitude	5,000m		

**General**
**Protection**

Overload	120-150% rated output power, auto recovery
Over Voltage	120-150% rated output voltage input to reset
Short Circuit	Trip and restart (hiccup mode)

**Safety Approvals**

Safety Agency / Mark	Medical	ITE
CB	IEC60601-1	IEC60950-1
UL	ANSI/AAMI ES60601-1	-
	CAN/CSA C22.2 NO. 60601-1	-
TüV	EN60601-1	-
RCM	IEC60601-1, Cert: SAA150158	-
CCC	-	GB4943.1

**EMC**

Emissions	Medical
Conducted	IEC/EN 60601-1-2, CISPR 11
Radiated	IEC/EN 60601-1-2, CISPR 11
Harmonic Currents	EN61000-3-2, Class A
Voltage Flicker	EN61000-3-3
Immunity	IEC/EN 60601-1-2
ESD	EN61000-4-2 ±15kV air, ±8kV contact
Radiated Immunity	EN61000-4-3 10V/m, 3V/m 80MHz - 2.7GMHz
EFT/Burst	EN61000-4-4 ±2kV on AC port, ±1kV on signal ports
Surge	EN61000-4-5 ±1KV line to line (different mode)
Conducted Immunity	EN61000-4-6 3Vrms, 6Vrms (0.15MHz-80MHz)
Magnetic Field	EN61000-4-8 30 A/m
Dips & Interruptions	EN61000-4-11 0%, 70%, 0% of UT

**Others**

Dielectric Withstand Voltage	5,656VDC input to output
Insulation Resistance	10M Ohms, 500VDC input to output